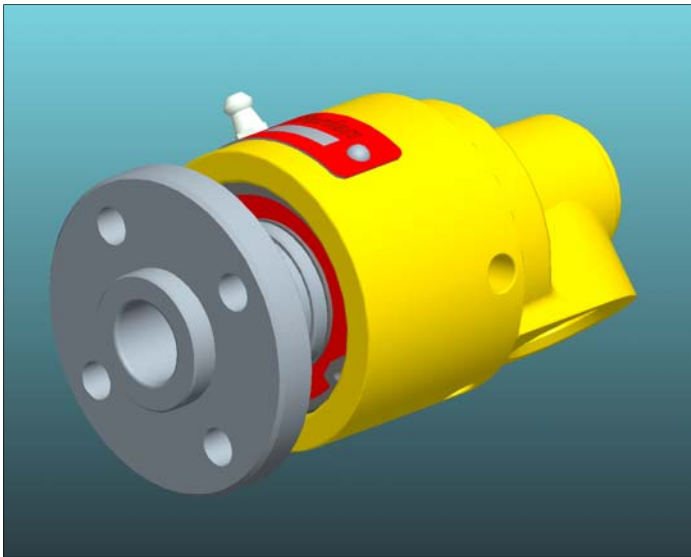


# GRF 10÷25

GIUNTI ROTANTI PER ACQUA, ARIA, OLIO, VUOTO  
 ROTATING JOINTS FOR WATER, AIR, OIL, VACUUM  
 DREHDURCHFÜHRUNGEN FÜR WASSER, LUFT, ÖL, VAKUUM  
 RACCORDE TOURNANTS POUR EAU, AIR, HUILE, VIDE  
 JUNTAS ROTATIVAS PARA AGUA, AIRE, ACEITE, VACIO



|           |        |           |        |
|-----------|--------|-----------|--------|
| $t_{max}$ | 170 °C | $p_{max}$ | 40 bar |
|-----------|--------|-----------|--------|

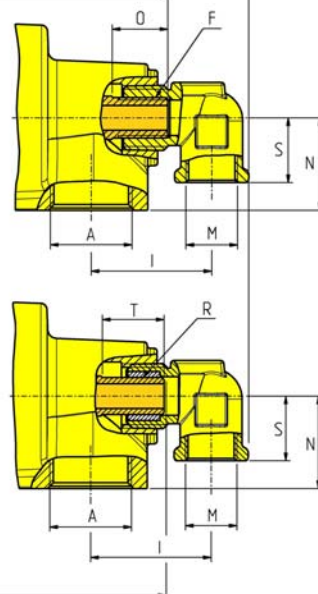
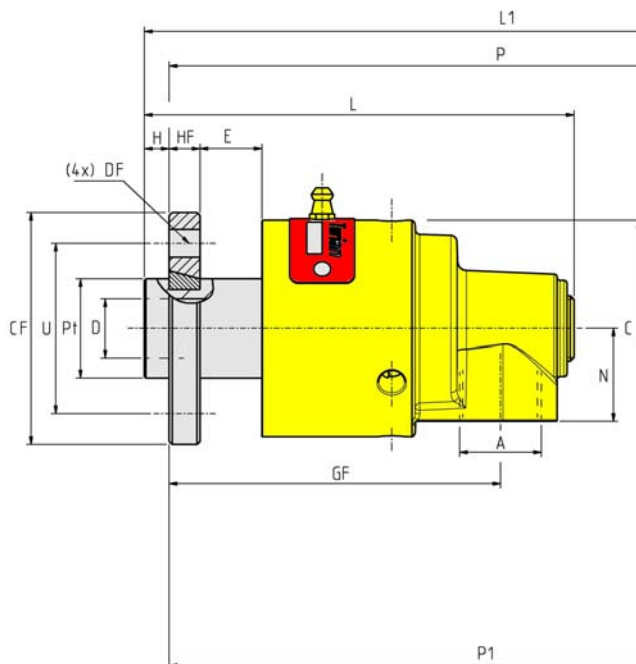
|                        |          |
|------------------------|----------|
| <b>GRF 10 - GRF 15</b> |          |
| $n_{max}$              | 3500 RPM |
| <b>GRF 20 - GRF 25</b> |          |
| $n_{max}$              | 3000 RPM |
| <b>GRF 32 - GRF 40</b> |          |
| $n_{max}$              | 2500 RPM |
| <b>GRF 50</b>          |          |
| $n_{max}$              | 1000 RPM |

|                                    |      |
|------------------------------------|------|
| Torque Ratings Nm<br>Water 4.2 bar |      |
| <b>GRF 10</b>                      | 0.28 |
| <b>GRF 15</b>                      | 0.32 |
| <b>GRF 20</b>                      | 0.62 |
| <b>GRF 25</b>                      | 1.3  |
| <b>GRF 32</b>                      | 1.6  |
| <b>GRF 40</b>                      | 2.2  |
| <b>GRF 50</b>                      | 3.2  |

Evitare l'impiego alla massima velocità con la massima pressione.  
 Avoid working at maximum speed with maximum pressure.  
 Max.Drehzahl gleichzeitig mit max. Druck ist zu vermeiden.  
 Evitez l'emploi de la pression maximum à la vitesse maximum.  
 Evitar el trabajo a máxima velocidad combinada con máxima presión.

GIUNTI ROTANTI AD UNA VIA  
 ONE WAY ROTATING JOINTS  
 EINWEG DREHDURCHFÜHRUNGEN  
 RACCORDE TOURNANTS SIMPLE PASSAGE  
 JUNTA ROTATIVA SIMPLE PASO

GIUNTI ROTANTI A DUE VIE  
 TWO WAYS ROTATING JOINTS  
 ZWEIWEG DREHDURCHFÜHRUNGEN  
 RACCORDE TOURNANTS DOUBLE PASSAGE  
 JUNTA ROTATIVA DOBLE PASO



## GRF... F

SIFONE FISSO  
 FIXED SIPHON  
 FÜR STEHENDES SIPHONROHR  
 SIPHON FIXE  
 SIFON ROSCADO

## GRF... R

SIFONE ROTANTE  
 ROTATING SIPHON  
 FÜR ROTIERENDES SIPHONROHR  
 SIPHON ROTATIF  
 SIFON ROTATIVO

| TYPE          | A<br>BSP | C  | CF | D  | DF | E  | F<br>BSP | GF  | H | HF | I  | L   | L1  | M<br>BSP | N  | O  | P   | P1  | Pt<br>f7 | R<br>h13 | S  | T  | U  |
|---------------|----------|----|----|----|----|----|----------|-----|---|----|----|-----|-----|----------|----|----|-----|-----|----------|----------|----|----|----|
| <b>GRF 10</b> | 3/8      | 47 | 55 | 9  | 7  | 17 | M6x1     | 80  | 6 | 10 | 33 | 96  | 124 | 1/4      | 20 | 12 | 97  | 99  | 20       | 6        | 20 | 15 | 40 |
| <b>GRF 15</b> | 1/2      | 60 | 70 | 13 | 9  | 20 | 1/8      | 101 | 6 | 10 | 35 | 123 | 150 | 3/8      | 26 | 18 | 119 | 118 | 25       | 9        | 20 | 20 | 50 |
| <b>GRF 20</b> | 3/4      | 70 | 75 | 18 | 9  | 20 | 1/4      | 109 | 8 | 10 | 39 | 137 | 163 | 3/8      | 30 | 18 | 132 | 131 | 32       | 12       | 20 | 20 | 55 |
| <b>GRF 25</b> | 1"       | 84 | 80 | 24 | 9  | 21 | 3/8      | 121 | 8 | 12 | 53 | 156 | 198 | 1/2      | 36 | 20 | 154 | 157 | 38       | 16       | 23 | 30 | 60 |

**TURIAN**

Via Jucker, 19  
 I-21053 CASTELLANZA (Va)

tel. +39 0331 501101  
 fax +39 0331 505189