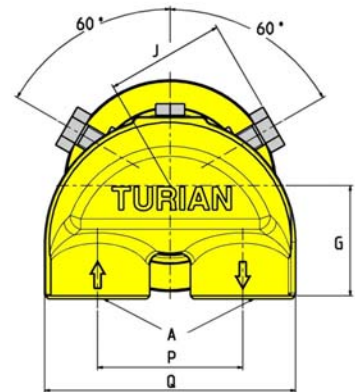
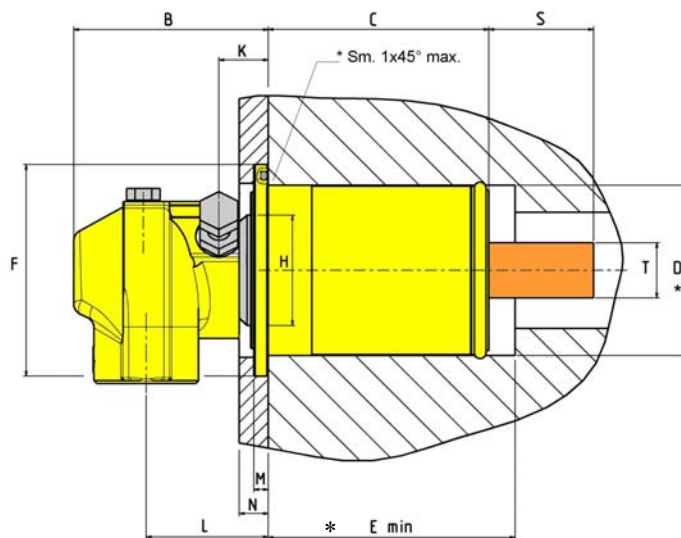


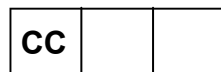
MONOFLOW

* SHAFT DIMENSIONS



DUOFLOW

P max	10 bar
T max	120°C
N max	100 RPM



TYPE — M with elbow monoflow
D with elbow duoflow
F with elbow duoflow and tube

	TYPE	A BSP	B	C	D *	E *	F	G	H	J	K	L	M	N	P	Q	S	T
MONOFLOW	CC 20 M	3/4	50	60	46.35 46.10	62	59	47	32	33	17	33	4	10	-	-	-	-
	CC 25 M	1"	67	76	58.98 58.70	82	73	46	38	33	17	44	5	10	-	-	-	-
DUOFLOW	CC 20 F	3/4	67	60	46.35 46.10	62	59	39	32	33	17	42	4	10	51	86	48	13.00 12.94
	CC 25 F	3/4	67	76	58.98 58.70	82	73	39	38	33	17	42	5	10	51	86	63	19.00 18.94
	CC 38 F	1"	97	82	71.25 71.00	94	86	46	57	44	23	66	5	10	64	105	51	28.70 28.58